

PUL 140D
PULD01401200NZD000
140 MHz to 1200 MHz Data Grade Upconverter

General Description:

The **PULD01401200NZDD00** is an ultra-stable frequency converter that translates a 140 MHz IF channel to a 1200 L-Band channel. Based on Quintech's PLL stabilized fixed channel frequency converters, the PUL features a stability performance that meets the IESS 308/309 standard, and is suitable for current high speed data transmission rates and high order modulations.

Specifications:

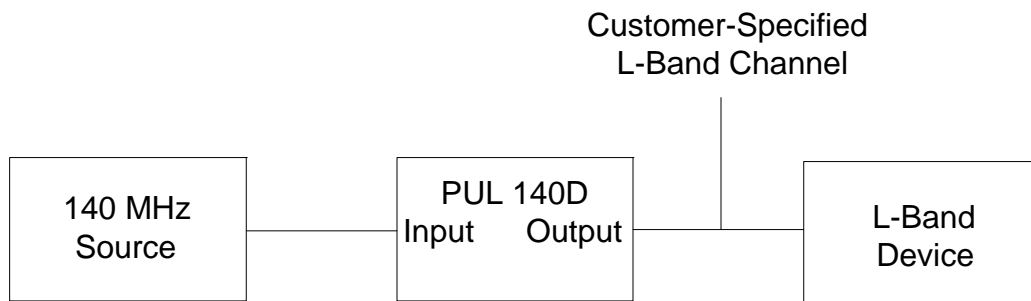
| | |
|----------------------------------|--------------------------------------|
| Input Frequency: | 140 MHz IF |
| Output Bandwidth (-3 dB): | 80 MHz |
| Input Power Level: | -50 to -20 dBm |
| Overall Gain/Loss: | 0 dB \pm 2 dB |
| Output Frequency: | 1200 MHz, non-inverting |
| L.O. Stability: | \pm 1 ppm |
| Input Return Loss: | 12 dB |
| Output Return Loss: | 10 dB |
| Spurious: | -50 dBc |
| Phase Noise: | Offset (Hz) (dBc/Hz) |
| | 10 -60 |
| | 100 -75 |
| | 1,000 -76 |
| | 10,000 -78 |
| | 100,000 -99 |
| 1,000,000 -110 | |
| Output Connector: | Type F, 75 Ω |
| Input Connector: | BNC, 75 Ω |
| Power Requirements: | 100-240 V~, 50/60 Hz |
| Power Consumption: | 17 W |
| Operating Temperature: | +10° to +60° C |
| Mechanical: | 1 RU (1.75" H x 19" W x 12.5" D) |
| Weight: | 7.5 lbs. gross (boxed), 5.0 lbs. net |



Special Instructions:

To utilize the PULD01401200Nzd000, connect a 140 MHz line to the "140 MHz" connector on the rear panel of the unit. The 1200 MHz L-Band channel will be present at the L-BAND connector, also on the rear panel. Primary power required is 100-240 V~, 2 Amp via the IEC AC connector.

NOTE: The PULD01401200Nzd000 has been designed for indoor use only. Opening the unit will immediately void the warranty.



250 Airport Road • Indiana, PA 15701 • (800) 839-3658 • (724) 349-1412 • Fax: (724) 349-1421

<http://www.quintechelectronics.com/> • info@quintechelectronics.com